

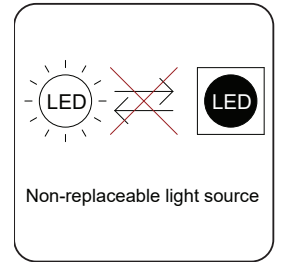
Square Surface Solar Light

Installation instructions

JCC | a **LEVITON** company

Warnings & Cautions

- Do not install in areas that are exposed to continual running water or prone to flooding.
- Ensure that the mounting surface is both flat and stable.
- Any broken or damaged parts should be replaced as soon as possible.
- JCC will not accept responsibility for claims arising from sub-standard installations
- These products are suitable for outdoor use only
- This product is battery powered and they are charged via the solar panel
- The batteries in this product are rechargeable and must only be replaced by a competent person.



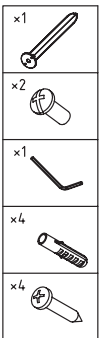
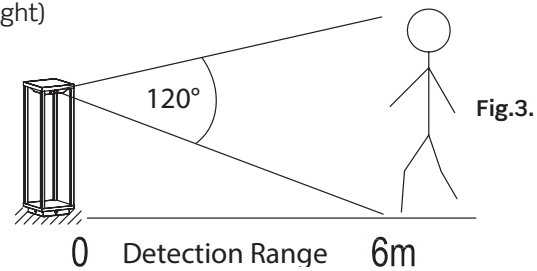
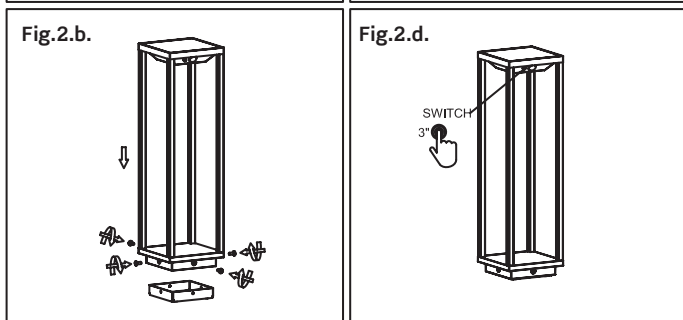
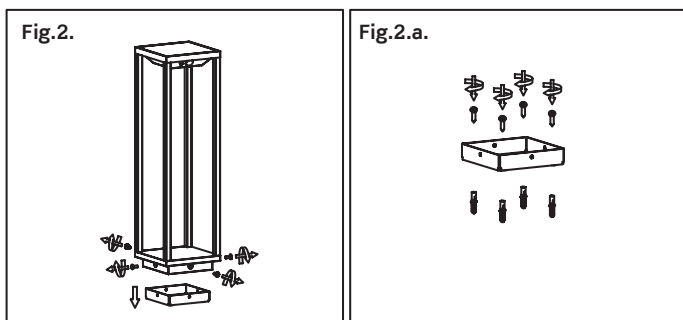
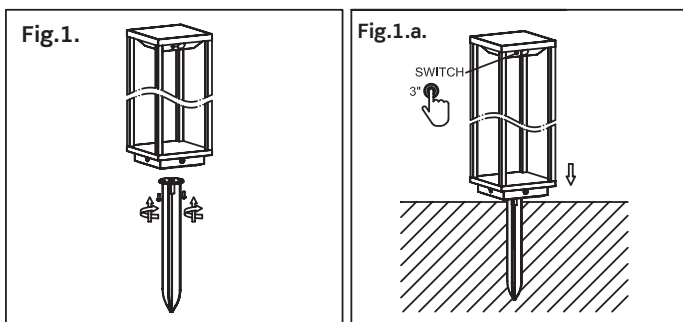
INSTALLATION

ENGLISH

Specifications Colour temp: 3000K Ra: 84 (Class III) Solar light

Product code	Wattage	Lumens	Solar Charging Time	Maximum run time Full power	Maximum run time 15% power
JC17066/7	3W	300	6-8hrs	2.5-3 hrs	≤30hrs

Prior to use, ensure that the product is fully charged



Installation of mounting Spike:

Fit mounting spike to the base of the Solar light using the screws supplied as illustrated in Fig.1.

Select a suitable flat and stable location to insert the spike into the earth(fig.1.a.). Apply even firm pressure to the top corners with your hands. Do not use a hammer or weighted object to force the spike into the ground. This will damage the product and the solar panel. Ensure the sensor is facing the direction of travel (Fig.3.)

Installation of Base plate:

Remove base plate from the Solar light as illustrated in Fig.2.

1. Select a suitable flat and stable location, and use the base plate as a template, drill holes suitable for fixings(supplied) (fig.2.a.). Refit the Solar light to the base plate and secure with the 4 screws as shown in(fig.2.b.). Ensure the sensor is facing the direction of travel (Fig.3.)

2. Once installed, turn on by pressing the Touch Button for 3 seconds, the blue light will come on, then the light will illuminate for 50 seconds, allow the batteries to charge for 6-8hrs in full sunlight.

When the light level is less the 20 Lux the light will come on and dim to 15%, as soon as the sensor detects movement it will increase to full power.

This product has built -in over charge protection.

If the product is not operating,i.e. not working when the light level is below 20 Lux and the button doesn't light up(blue) when pushed. The product needs to be reset. To reset, ensure the product is in direct sunlight or has a bright light source directed at if below 20 Lux for 5-10 seconds. Once the blue light shows, normal operation has resumed.

CE UK CA RoHS Compliant IP54 jcc.co.uk

You can help protect the environment. Please remember to respect the local regulations: hand in the non-working electrical equipment to an appropriate waste disposal centre. The packaging material is recyclable. Dispose of the packaging in an environmentally friendly manner and make it available for the recyclable material collection service.

Important warranty information

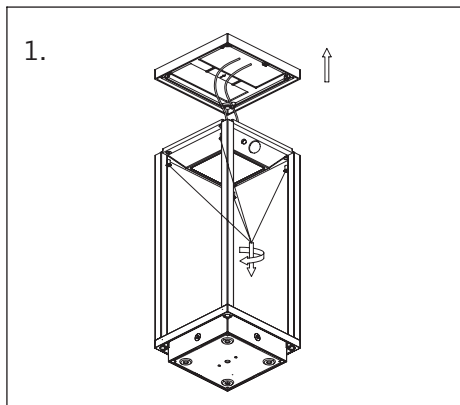
This product is supported by a 2-year standard warranty which will extend to 3 years if registered within the first year of purchase. (2 year on batteries). Please register at jcc.co.uk/warranty - Terms and conditions apply.

The installer will be asked to provide the following information, which is detailed on a label attached to the luminaire's chassis: Product Code/Date Code.

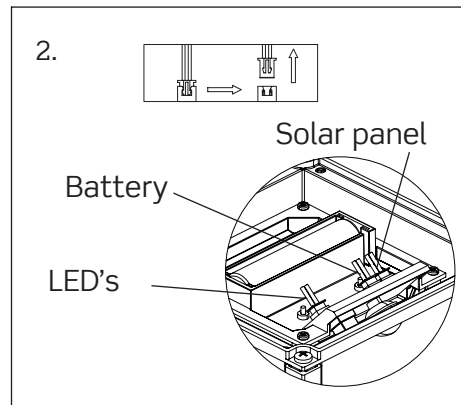
Square Surface Solar Light

Replacement of Batteries:

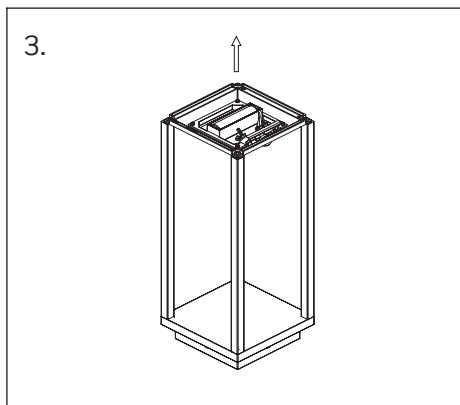
1 x SPR017001- 1 x 3.7V 18650 2200mAh Lithium battery



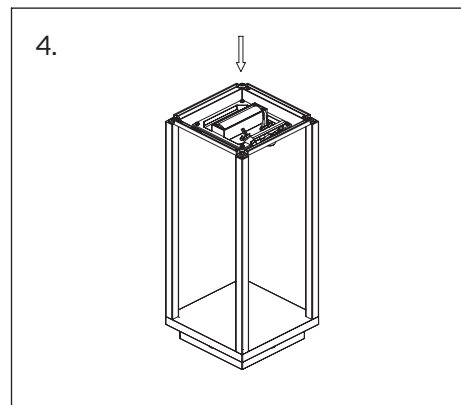
Remove the 4 screws as indicated above to release the top of the body



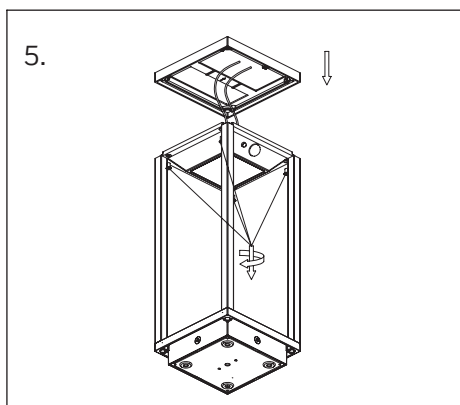
Disconnect the solar panel lead from the top of the body



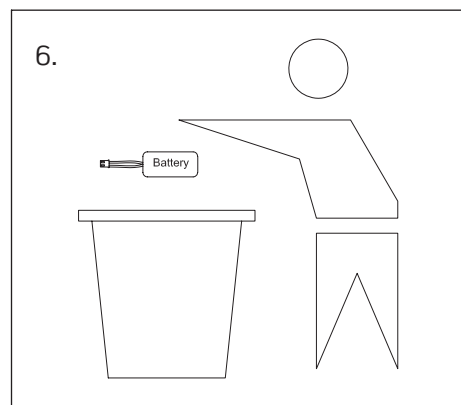
Disconnect and remove the old battery



Connect replacement battery and fit into battery holder



Reconnect the Solar panel lead, then locate the head to the body and refit the 4 screws

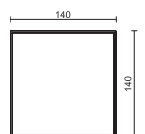
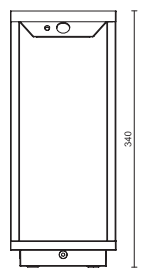


Please hand in the non-working battery to an appropriate waste disposal centre, do not dispose of with household waste

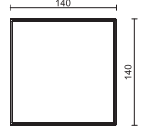
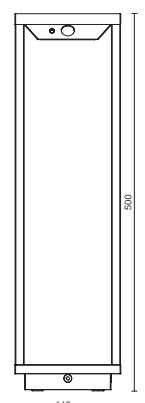
Prior to use after replacing the battery, allow 5-10 minutes for the luminaire to reset prior to turning on. Ensure that the product is fully charged. Please refer to point 2 in the installation instructions.

General Maintenance Requirements

JCC Lighting Products recommends that this product is cleaned with warm water and dried with a chamois leather or absorbent dry cloth. Weathering, environmental pollution and bird droppings should be cleaned off with a non-abrasive cleaner. This is to ensure that the solar panel is fully effective in charging the batteries, and to preserve the finish of this product.



JC17066



JC17067